

Habbis 6

Sliding wall wagon
Wagon parois coulissantes

Schiebewandwagen
Carro con parete mobile

Technical data

Length over buffers	24 360 mm
Overall height	4 556 mm
Loading length	23 100 mm
Loading width	2 720 mm
Loading area	63m ²
Loading capacity	192m ³
Length of door openings(3 doors)	
Outer doors	9 050 mm
Middle door	4 600 mm
Height of door openings	3 230 mm
Platform height	1 200 mm
Tare weight	26 500 kg
Payload circa	37 500 kg
Minimum curve	95 m
Maximum speed	100 km/h

Technische Daten

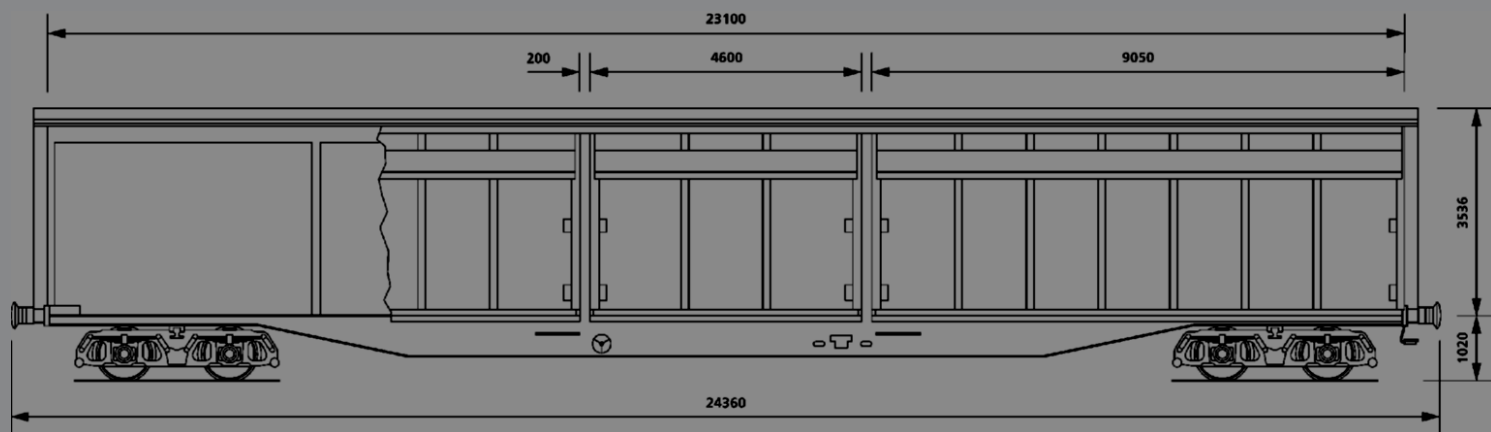
Länge über Puffer	24 360 mm
Gesamthöhe	4 556 mm
Ladelänge	23 100 mm
Ladebreite	2 720 mm
Ladefläche	63m ²
Laderaum	192m ³
Länge der Türöffnung (3 Türen)	
Äussere Türen	9 050 mm
Mittleren Tür	4 600 mm
Höhe der Türöffnung	3 230 mm
Fußbodenhöhe über Schienenoberkante	1 200 mm
Eigengewicht	26 500 kg
Lastgrenze ca.	37 500 kg
Min. befahrbarer Kurvenradius	95 m
Max. Geschwindigkeit	100 km/h

Données techniques

Longueur hors tout	24 360 mm
Hauteur totale	4 556 mm
Longueur utile	23 100 mm
Largeur utile	2 720 mm
Superficie utile	63m ²
Volume utile	192m ³
Longueur ouverture des portes (3 portes)	
Portes extérieures	9 050 mm
Porte du milieu	4 600 mm
Hauteur ouverture des portes	3 230 mm
Hauteur du plancher	1 200 mm
Tare	26 500 kg
Limite de charge	37 500 kg
Rayon de courbure minimum	95 m
Vitesse maximum	100 km/h

Dati tecnici

Lunghezza sopra respingenti	24 360 mm
Altezza complessiva	4 556 mm
Lunghezza di carico	23 100 mm
Larghezza di carico	2 720 mm
Superficie di carico	63m ²
Capacità di carico	192m ³
Lunghezza aperture porte (3 porte)	
Porte esterne	9 050 mm
Porta centrale	4 600 mm
Altezza di apertura porte	3 230 mm
Altezza della piattaforma	1 200 mm
Tara	26 500 kg
Carico utile	37 500 kg
Raggio min. di curvatura	95 m
Velocità massima	100 km/h

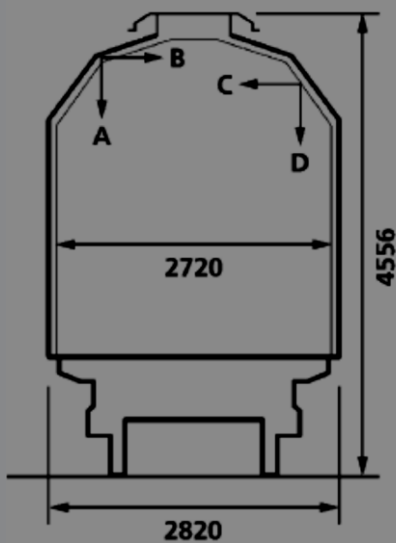


Wagon is specially designed for high volume also low loading height and therefore only authorized for BDZ, DBS, NS, CFR, GC, CD, ÖBB, MAV, PKP, SZ, MZ, JZ, HZ, ZSR, CH, CFL.

3 sliding walls per wagon side give access to the complete floor area from both sides and facilitate the loading/unloading by fork lift truck from ground level.

Wagon has been designed for an even distribution of load on the wagon floor.

The maximum wheel pressure on the floor board is 5 tonnes.



Payload	A	B	C	
S		37.5		**

Measurements in wall area (A - B)	
Height above wagon floor (mm)	Loading width (mm)
1 2462	2720
2512	2650
2562	2580
2612	2510
2662	2440
2712	2370
2762	2300
2812	2230
2862	2160
2912	2090
2962	2020
3012	1950
3062	1880
2 3063.5	1878
3113.5	1603
3163.5	1328
3215.5	1053
3 3250	964

Measurements in roof support area (C - D)	
Height above wagon floor (mm)	Loading width (mm)
1 2400	2720
2450	2650
2500	2580
2550	2510
2600	2440
2650	2370
2700	2300
2750	2230
2800	2160
2850	2090
2900	2020
2950	1950
3000	1880
2 3015	1860
3065	1527.5
3115	1195
3165	862.5
3215	530
3 3230	430